

# DUAL COLOUR LED BEACON

## WIRING / OPERATION

### Permanent Mount:

- RED:** To +VDC (fuse@4A) for warning mode in COLOUR1
- RED + YELLOW:** To +VDC (fuse@4A) for warning mode in COLOUR2
- BLACK:** To -Chassis Ground
- WHITE:** To +VDC for Low Power

### Magnetic Mount:

#### BUTTON 1:

- Position 1 -** Warning mode in COLOUR1
- Position 2 -** Warning mode in COLOUR2

#### BUTTON 2:

- Position 1 -** Normal Operation
- Position 2 -** Low Power Operation

FP#	FLASH PATTERNS	
1	Double	[R65]
2	Single	[2Hz]
3	Quad	[2Hz]
4	Single	[SAE]
5	Double	[SAE]
6	Quad	[SAE]
7	Quint	[SAE]
8	Mega	
9	Ultra	[SAE]
10	Single-Quad	
11	Single H/L	

**Note:** This unit may not factory set at FP#1

## OPERATION

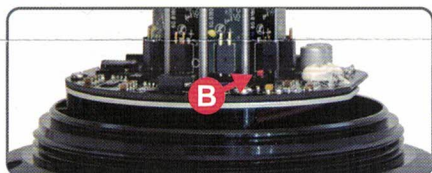
### Flash Pattern Selection

#### 1. Open

Twist the dome lens counter clockwise **A**, then lift the dome lens to open.

#### 2. Change

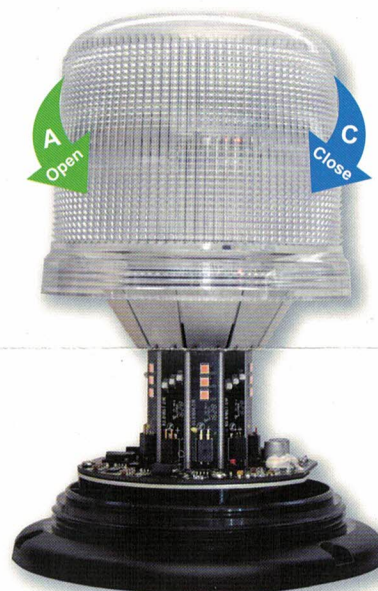
Momentarily push the red button **B** to change to the next flash pattern. (see Flash Patterns Chart)



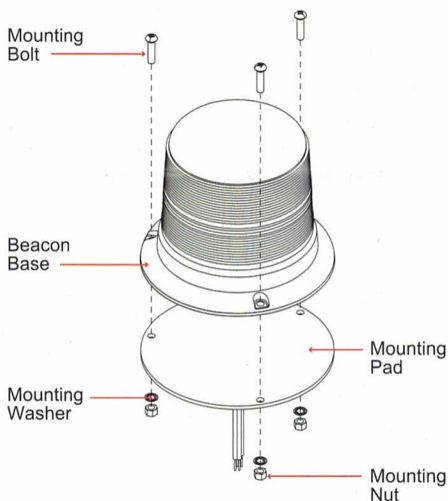
#### 3. Close

Twist and tighten the dome lens clockwise **C** to close.

**Note:** COLOUR1 and COLOUR2 warning modes share the same Flash Pattern memory.

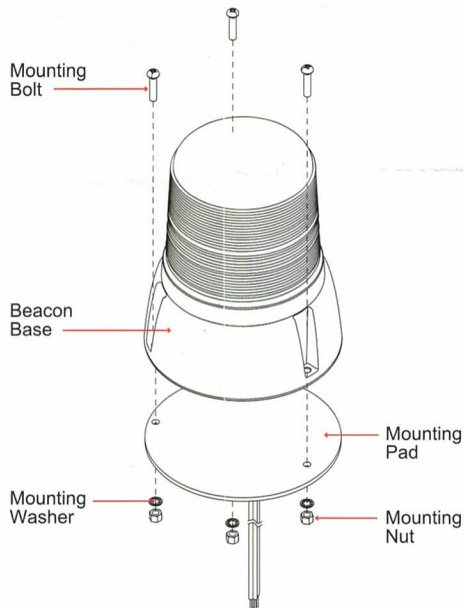


### 3 Bolt Mount

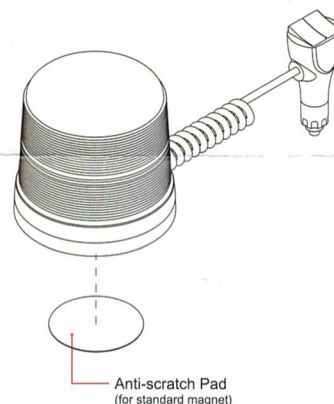


1. Drill holes on the mounting surface for the wire-exit and mounting bolts.
2. Secure the beacon onto the mounting surface with mounting bolts.

### Tall Base 3 Bolt Mount



### Magnetic Mount



**WARNING:**

It is not recommended to use magnetically mounted warning devices on outside of vehicle in motion. Usage is at the sole risk and responsibility of the user.

**NOTE:** All diagrams may not show in scale.