



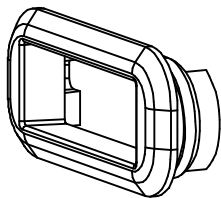
Premier Hazard Limited  
Bessingby Industrial estate, ©  
Bridlington, YO16 4SJ, England.  
Tel: +44(0) 113 238 1111  
Fax: +44(0) 113 239 1131  
e-mail: info@premierhazard.co.uk  
www.premierhazard.co.uk

## GROMMET KIT - MK667-000 (FOR USE WITH LL504 RANGE)

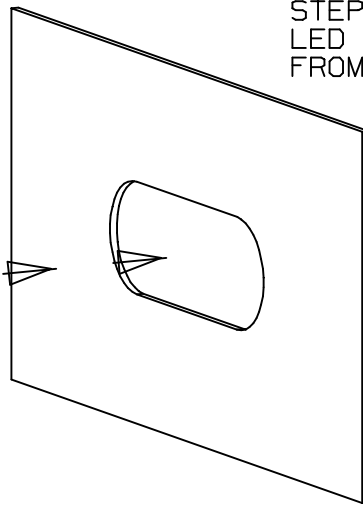
CONSISTING OF :-

GROMMET	x 1
SCREW	x 2
PANEL CUTOUT TEMPLATE	x 1

STEP 1.  
GROMMET TO BE FITTED  
FROM OUTSIDE OF PANEL



STEP 2.  
LED LAMP (NOT SUPPLIED) TO BE FITTED  
FROM INSIDE OF PANEL INTO GROMMET



STEP 3.  
SCREWS IF REQUIRED, TO BE  
FITTED AS SHOWN USING MINIMUM  
TORQUE, EXCESSIVE TORQUE WILL  
DISTORT OUTER SURFACE OF  
GROMMET

$2.4 \pm 0.2$  PANEL THICKNESS  
TO INCLUDE ANY CURVATURE

