



RM3

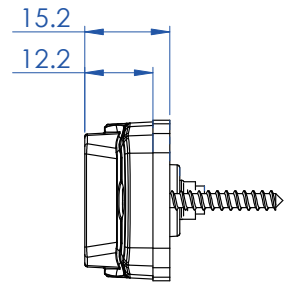
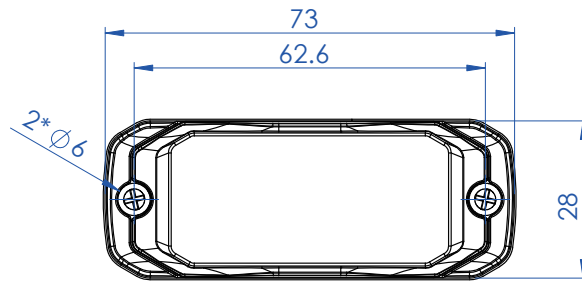
VDC
12/24

LED
3

IP67

R65
Class I

SAE
Class I



RM4

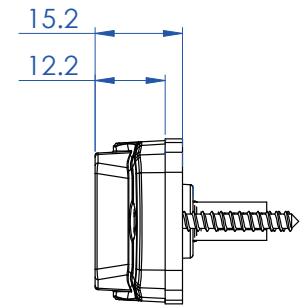
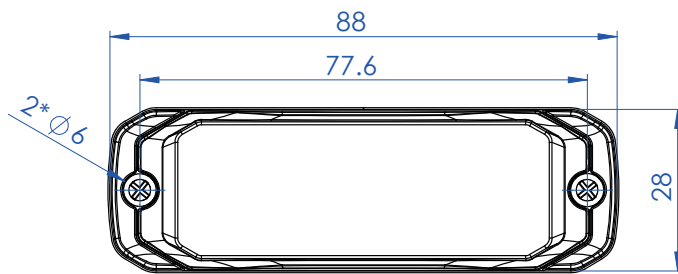
VDC
12/24

LED
4

IP67

R65
Class I

SAE
Class I



Specification

	RM3	RM4
Voltage	12-24VDC	12-24VDC
Number of LEDs	3 LEDs Per Color	4 LEDs Per Color
Certification	R65 CLASS I	R65 CLASS I
Available Colors	A/B/R/W (Dual)	A/B/R/W (Dual)
Max Consumption	0.45A @ 12.8VDC	0.51A @ 12.8VDC
Storage Temperature	-40° degree to +90° degree	-40° degree to +90° degree
Working Temperature	-30° degree to +50° degree	-30° degree to +50° degree
IP Rating	IP67	IP67
Dimension	73.6 x 28 x 12.2 (mm)	88.6 x 28 x 12.2 (mm)



RM6

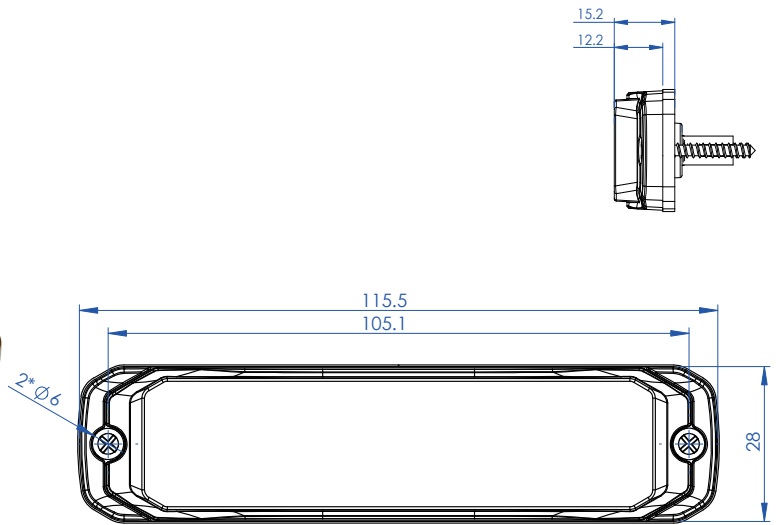
VDC
12/24

LED
6

IP67

R65
Class II

SAE
Class I



RM8

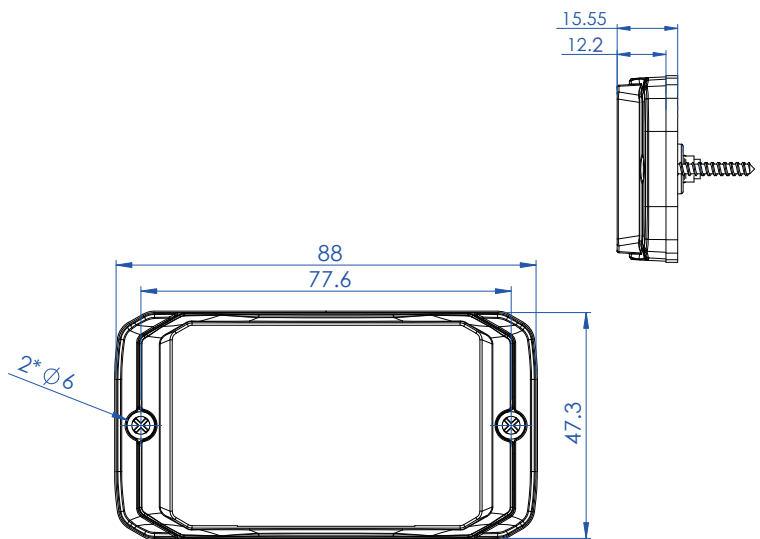
VDC
12/24

LED
8

IP67

R65
Class II

SAE
Class I



Specification

	RM6	RM8
Voltage	12-24VDC	12-24VDC
Number of LEDs	6 LEDs Per Color	8 LEDs Per Color
Certification	R65 CLASS II	R65 CLASS II
Available Colors	A/B/R/W (Dual)	A/B/R/W (Dual)
Max Consumption	0.63A @ 12.8VDC	0.95A @ 12.8VDC
Storage Temperature	-40° degree to +90° degree	-40° degree to +90° degree
Working Temperature	-30° degree to +50° degree	-30° degree to +50° degree
IP Rating	IP67	IP67
Dimension	116.1 x 28 x 12.2 (mm)	88.6 x 47.34 x 12.2 (mm)