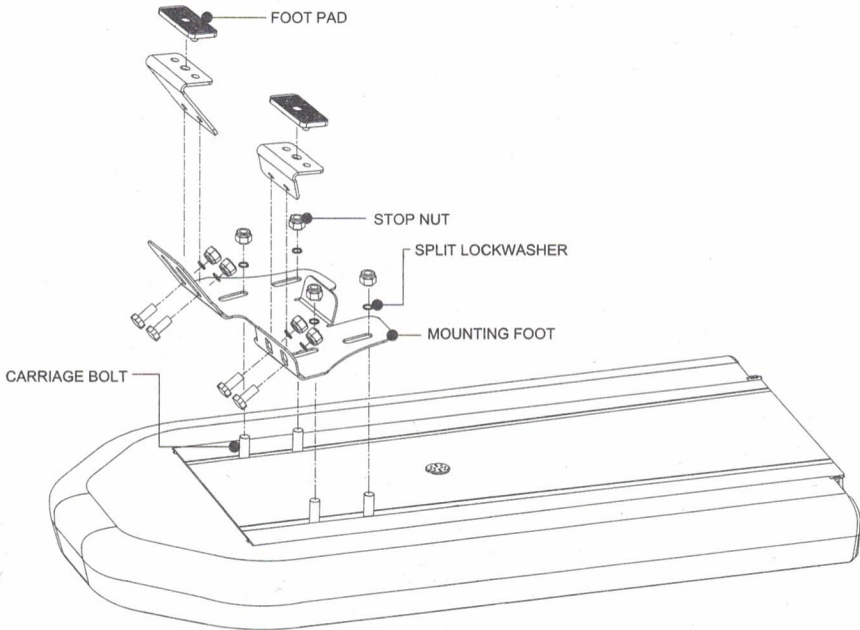


ADJUSTABLE FEET

Install Mounting Feet on the LigLightbar

1. Turn the lightbar upside down.
2. Place mounting feet over the carriage bolts.
3. Attach a lockwasher and a nut on each of the carriage bolts, but do not completely tighten the bolts. Leave them loose enough to reposition the mounting foot.



Upside down view of lightbar with mounting foot