

B16 Low Dome ECE R65 LED BEACON



FEATURES

- Certified powerful ECE R65 performance in all colour.
- Aero-dynamic Smooth dome lens for best appearance.
- Low profile design with only 88mm in height.
- Multiple mounting styles for all vehicle applications.
- 12~24VDC operation.
- Non-volatile flash pattern memory.
- Mult-units synchronization in simultaneous or alternating flash.
- 100,000 hours rated Long-Life LED.
- Reverse polarity protection.
- Weatherproof and shockproof capability for all environment.

SPECIFICATIONS

Compliance: ECE R65 (TA1, TB1, TR1); ECE R10; SAE J845; CA13; IPX5

Operating Voltage: 12~24VDC

No. of Warning Pattern: 11 Flash Patterns

LED Element: High-power LED x 8 pcs

Avg. Current: 1.2A @12.8VDC / 0.7A @24VDC
(varies by flash pattern)

Max. Current: 2.4A @12.8VDC / 1.3A @24VDC

Avg. Power: 15W (varies by flash pattern)

Max. Power: 30W

Wire:

Magnetic Mount

- Single button cigar-plug: 300cm / 118.11in
- ISO 4165 "Euro" plug: 250cm / 98.42in

Permanent Mount

- Red-Vcc : 40cm / 15.74in (20AWG)
- Black-GND: 40cm / 15.74in (20AWG)
- Yellow-Flash Pattern & Sync: 40cm / 15.74in (20AWG)
- White-Phase: 40cm / 15.74in (20AWG)

Fuse Rating: 5A

Synchronization: Up to 4 units

Storage Temp.: -40°C to +75°C

Operating Temp.: -30°C to +65°C

LED Colour: Red, Blue, Amber

Lens Colour: Red, Blue, Amber

Warranty: 5 Years

PART NO.

- **B016-1x231-000** ECE R65, AMBER (TA1)
- **B016-1x232-000** ECE R65, BLUE (TB1)
- **B016-1x234-000** ECE R65, RED (TR1)
- **B016-1x131-000** SAE AMBER (W3-1, CA13)
- **B016-1x132-000** SAE BLUE (W3-1, CA13)
- **B016-1x134-000** SAE RED (W3-1, CA13)

Mounting Style - replace x with the following:

- 1 = 3-Bolt Mount
- 2 = Magnetic Mount (Straight cord with single button cigar-plug)
- 3 = DIN Pole Mount
- 4 = Magnetic Mount (Coiled cord with ISO4165 "Euro" plug)
- 5 = Power Magnetic Mount* (Straight cord with single button cigar-plug)
- 6 = Power Magnetic Mount* (Coiled cord with ISO4165 "Euro" plug)
- 9 = Ø18MM Pole Mount (Off-centred cable-out)
- A = Ø36MM Pole Mount (Centred cable-out)
- B = Telescopic Pole Mount (2 wire cable-out)

*Power Mag is rated to 250km/hr (Actual performance may depend on the circumstance)

FLASH PATTERN

FLASH PATTERN					
1	Double	[R65]	7	Quint	[SAE]
2	Single	[2Hz]	8	Mega	
3	Quad	[2Hz]	9	Ultra	[SAE]
4	Single	[SAE, CA13]	10	Single-Quad	
5	Double	[SAE]	11	Single H/L	
6	Quad	[SAE]			

*Actual approval is based on the model ordered.

ACCESSORIES

99-B016M0X-000

Motorcycle Telescopic Pole



99-B016M00-000

B16 Branch Guard



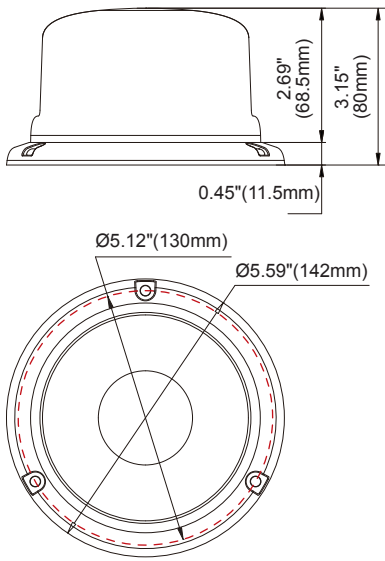
99-B016X00-000

B16 Power Magnetic Rubber Base

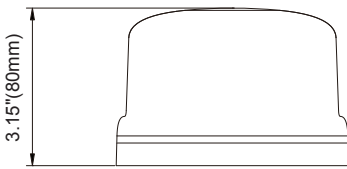


DIMENSIONS

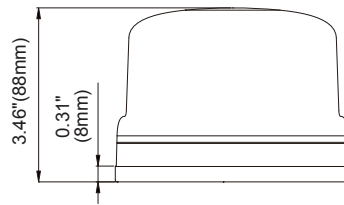
3-Bolt Mount



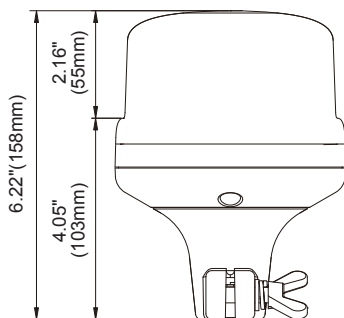
Magnetic Mount



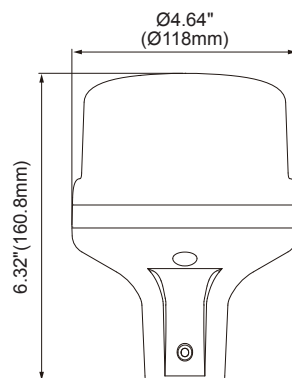
Power Magnetic Mount



DIN Pole Mount



Ø18/Ø36MM Pole Mount



Telescopic Pole Mount

